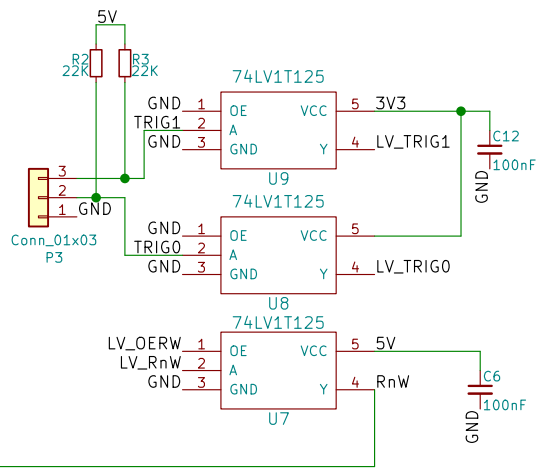


Optional Components



Sheet: /		Date:	
File: 6502_adapter.sch			
Title:			
Size: A4	Date:		Rev:
KiCad E.D.A. kicad 5.1.4-e60b26684ubuntu18.04.1			Id: 1/1