



Pipe as crosspatch solution

With the ability to connect up to 8 inputs or outputs via an ethernet cable, the Pipe makes it easy to connect multiple cases together or avoid any cable mess across a case. This makes it the perfect solution for simply setting up your eurorack system in the studio or for a live gig.

To connect two Pipe together, you just need to use an RJ45 type cable also called network cable. Connect one of the Pipe to the end of the cable and the other Pipe to the other end.

You must imperatively use so-called shielded cables. If you are unsure if your cables are shielded or not, look at the connectors, shielded connectors are metal-wrapped. Using unshielded cables can introduce noise into the signals sent through Pipe.

PIPE (3U) and PIPE-S (1U) modules are compatible, so you can connect a PIPE and a PIPE-S together without problem.

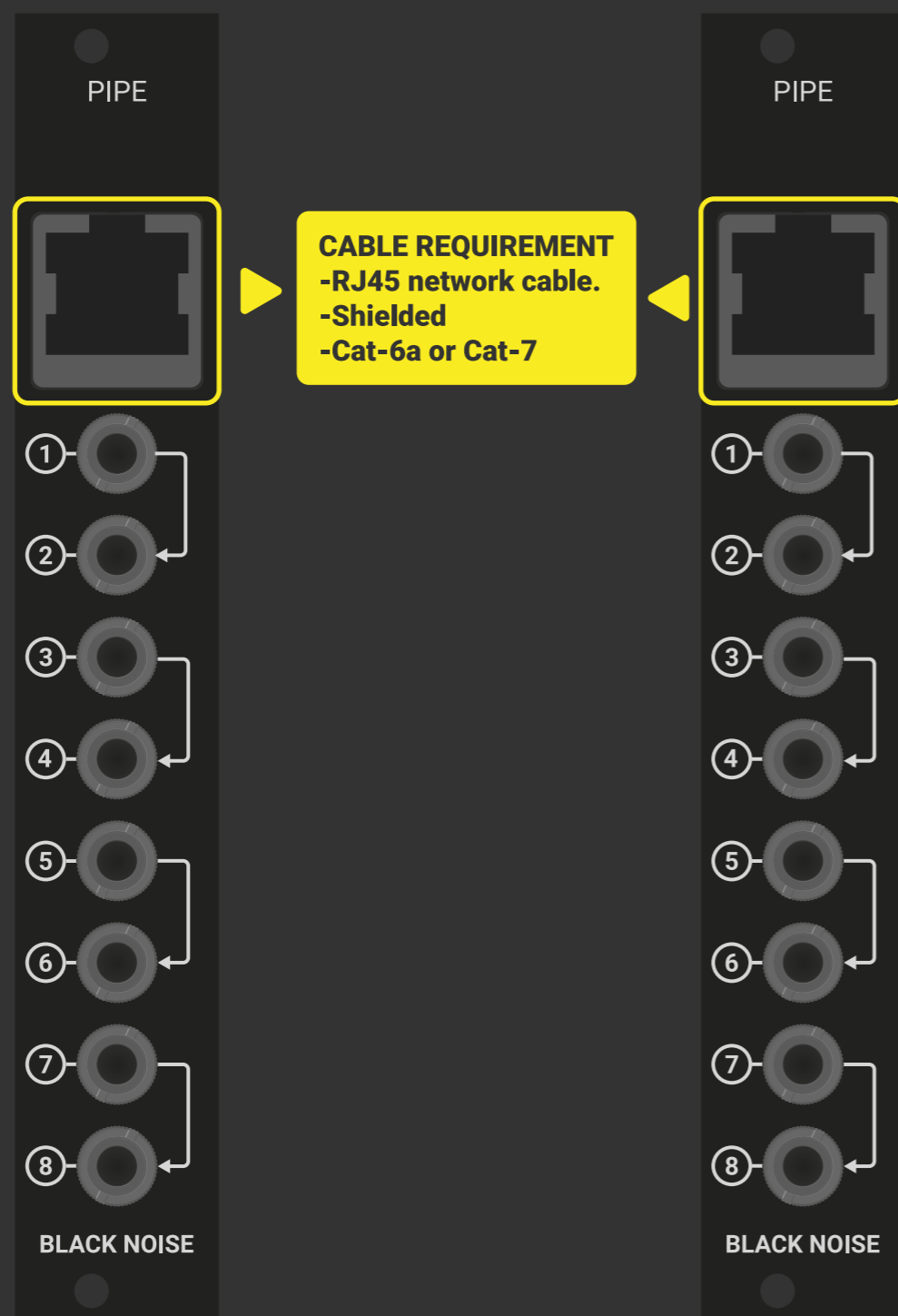
Specs

Panel Width 4HP

Module Depth 20mm (skiff friendly)

Power Consumption

PIPE if fully passive it do no require power



Pipe as passive multiples

Pipe features a 3 sections passive multiples to duplicate signals from one Pipe to another.

-Section C1 allows input signals to be shared between inputs/outputs 1 to 4.

-Section C5 allows input signals to be shared between inputs/outputs 5 to 6.

-Section C7 allows input signals to be shared between inputs/outputs 7 to 8.

Due to their nature multiple passives are not recommended for transmitting Pitch CV.

If you want to transmit CV pitch we recommend that you deactivate this passive multiple function on the sections with which you wish to transmit CV pitch. To deactivate a section, simply remove the jumper from the section selected on the pin header.

For example, if you wish to transmit pitch CV on inputs/outputs 5 and/or 6, remove jumper for connector C5.

Please note that you must remove jumper C5 on both Pipe to deactivate this function.

You can re-enable the multiple passive function at any time by simply reconnecting the jumper.

